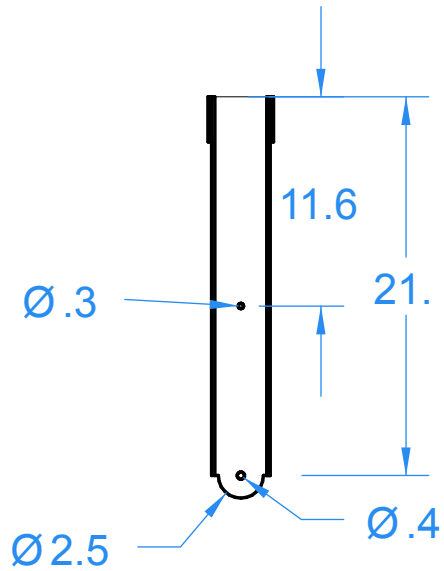
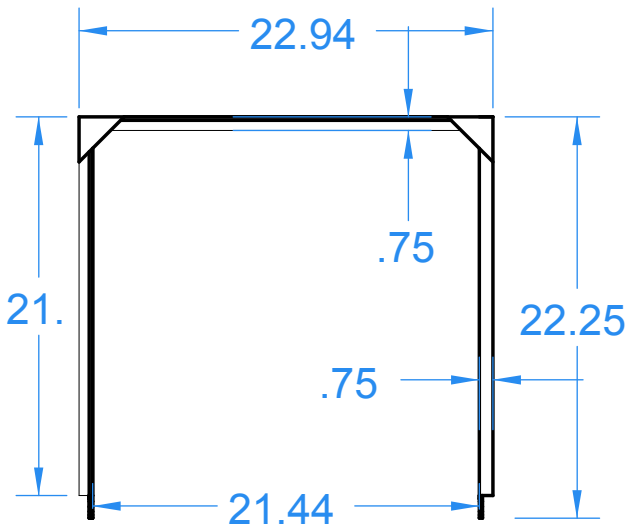
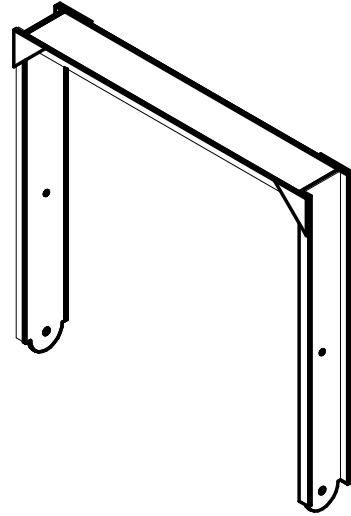
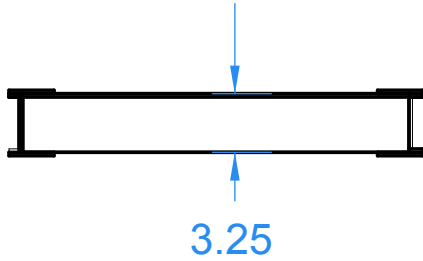


Revisions				
Zone	Rev	Description	Date	Approved



Unless Otherwise Specified: Dimensions in Inches Tolerances: Fractional ± Angular: Mach ± Bend ± Two Place Decimal ± Three Place Decimal ±		Name	Date	Technomad Berlin yoke				
	Drawn							
	Checked							
	ENG Appr.							
	MFR Appr.							
	QA							
	Comments	CAD Generated Drawing Do Not Manually Update		Size	Drawing No.	Rev		
Material	3/16 steel			A	0001	A		
Finish	hot dip galvanized, black			Scale	1:1	CAD File	Sheet	1 of 1
Do Not Scale Drawing								