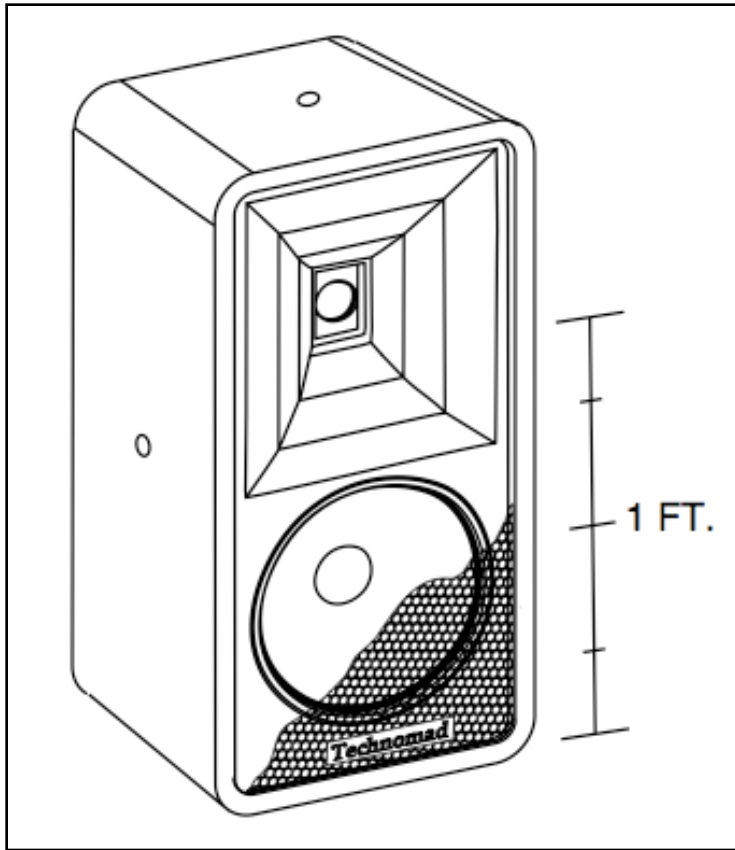


Vienna 16

MP Series

Compact, 2-Way Full-Range All Environment Loudspeaker System



Superb audio quality

High SPL horn-loaded 1" HF driver

Fully weatherproof construction

Optional multi-tap 70-volt transformer

Molded-in colors will not crack or fade

Comprehensive warranty: 10 year cabinet, 5 year hardware, 2 year electronics

5/16-18 T-Nut flypoints- 1 per side

Rear inserts for bracket mounting

Accepts bolt-on standmount fittings

Three layer, chemically treated WeatherTech™ grill

Twelve (12) optional cabinet colors

Mil-Spec 810E Compliant

Self-draining cabinet design

One-piece, 1/2" thick molded cabinet

Designed for use in abusive, real-world situations, the Vienna delivers detailed, powerful sound in a compact, durable package suitable for both permanently installed and mobile applications.

The compression driven, wide dispersion horn of the Vienna provides clear coverage even in large reverberant spaces such as churches and gyms, while the 6.5" mid/bass driver produces extended, distortion-free bass output. Only the highest-quality metalized polypropylene capacitors and heavy gauge inductors are used in Technomad networks, minimizing insertion loss and resulting in smooth response throughout the operating bandwidth.

Developed with contractors' needs in mind, the Vienna 16 incorporates a wide range of mounting fittings. Threaded 5/16-18 inserts on each side allow easy suspension, and threaded inserts are also provided to attach standard Quik-Lok™ or Ultimate Support™ stand sockets. The Vienna also has four rear 1/4-20 threaded inserts compatible with Technomad Vienna/Paris stainless steel wall mount brackets. With its low-profile design and

twelve optional colors, the Vienna 16 can be discreetly installed in any application.

The Vienna 16 is extremely reliable in any environment. Both the rubber-surround polypropylene mid/bass driver and the high-frequency compression driver offer excellent performance in even the most severe weather conditions. The three layer WeatherTech™ grill system sheds water off of the loudspeaker before it can penetrate to the components and all internal assemblies are treated to prevent damage by any moisture, such as condensation, which gets past the grill. Rust is never a problem as all external hardware, including the grill, is black stainless steel. Technomad cabinets are cast from Mil-spec polyethylene, carry a 10-year warranty and are self-draining. From the inside out, every part of every Technomad loudspeaker is designed to provide optimum performance in even the worst conditions.

Architecturally neutral and small enough to be discreetly installed almost anywhere, the Vienna provides powerful, clear sound in applications worldwide such as theme parks, theaters, cruise ships, and resorts.

Technomad
Audio. Anywhere.

www.technomad.com
customercare@technomad.com
800.464.7757 / 1 617.275.8898
Tina Drive South Deerfield, MA, 01373

Specifications

Vienna 16

Audio Specifications

Frequency Response	70Hz-20kHz (+/- 2 dB) 50Hz- 20kHz (+/- 10 dB)
Maximum Continuous Power ₁	250 watts
Maximum Peak Power ₁	500 watts
Recommended Amplifier Power	300+ watts
Sensitivity *	94 dB SPL
Maximum Output (long term) ₁ **	119 dB SPL
Maximum Output (peak)	122 dB SPL
HF Dispersion	120° V x 120° H
Nominal Impedance	8 ohms

Signal Chain

HF	1" Compression Driver
LF	6.5" Polypropylene Driver
Connectors	1 x Neutrik™ NL4MP Speak-on, 1 x 2 pole terminal block
Crossover	Passive Internal
70-Volt (option)	16, 32, 64, 128 watt switchable taps

₁ Based on ALMA EIA test 426B

* RTA Total output axial 1W@1M

** Based on Maximum Continuous Power rating

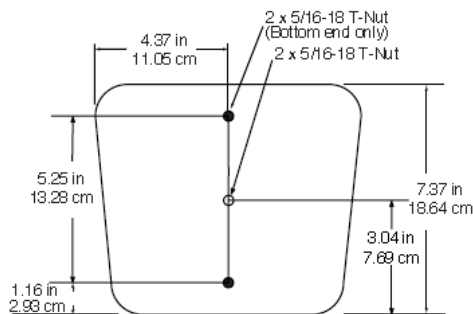
Physical Specifications

Height	15.5"	39.2 cm
Width	8.63"	21.8 cm
Depth	7.37"	18.6 cm
Weight	18 lb	8.2 kg
Shipping Weight	20 lb	9.1 kg

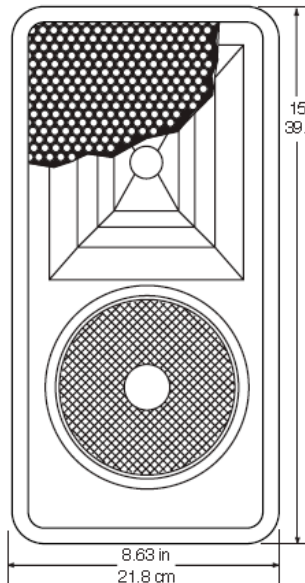
Fittings 4 x 5/16-18 inserts (1 per side)
4 x 1/4-20 on back for OmniMount™
2 x 5/16-18 inserts on bottom for use with bolt-on standmount sockets

Cabinet Mid-density Polyethylene

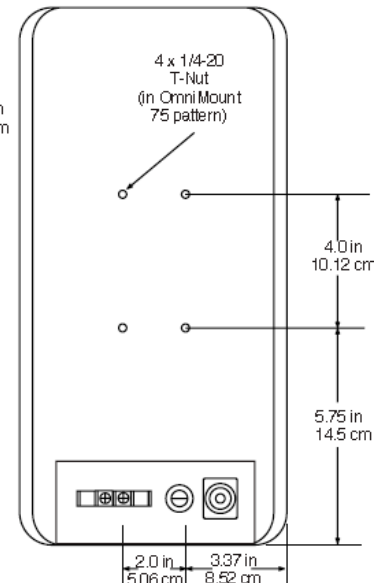
Grill Stainless Steel Weather Tech™ (Black standard)



Paris616/ Vienna 16 End View



Vienna 16 Front View



Vienna 16 Back View

Architectural and Engineering Specifications

The loudspeaker system shall be of two-way type consisting of a 6.5" low frequency cone type transducer in a vented direct radiating enclosure and a horn-mounted 1" compression driver.

The system shall meet the following performance criteria:
Frequency Response: 70 Hz - 20 kHz. Power Handling: 250W. Rated Impedance shall be 8 ohms. High frequency dispersion shall be 120° H x 120° V.

The system shall include an internal passive crossover network, providing full-range operation via a Neutrik™ 4MP connector and a 2 pole terminal block. The cabinet shall be molded from mid-density (100% recycled if black) polyethylene. All cabinet

dyes shall be non-heavy metal based. The cabinet shall meet Mil-Spec 810E and be ATA-III compliant. The cabinet shall have a 10 year warranty.

The system shall have one 5/16-18 flypoint insert per side, and two additional 5/16-18 inserts on one end for a bolt-on stand mount socket. The system shall also have four 1/4-20 fly-point inserts on the back of the cabinet to allow attachment of a Technomad MP wall mount bracket. All drivers shall be protected by a three-layer chemically treated grill system.

The loudspeaker system shall be the Technomad Vienna 16.

Technomad
Audio. Anywhere.™

www.technomad.com
customercare@technomad.com
800.464.7757 / 1 617.275.8898
Tina Drive South Deerfield, MA, 01373