

Technomad PowerChiton Amplifier Series

Fully weather-proof power amplifier modules



PowerChiton (pou'er kītōn)

Fully weatherproof UV stable enclosure

Fuse protected amplifier unit

Compact and durable

Optional pole-mount

Expandable with optional ethernet, RF or twisted pair audio interfaces.

Highly efficient power amplifier unit

Available in 5 configurations: 2x 50W, 100W, 150W, 350W, 500W and 1500w

Integral crossover filters

Dual input with ducking

The PowerChiton series of weatherproof amplifier modules represent a new approach to outdoor audio systems. Combining a high performance, passively cooled amplifier with a IP66 rated, low profile enclosure, the PowerChiton offers the system installer or designer a new solution for the problems of distributed outdoor audio system design.

Each PowerChiton module is capable of powering a four ohm load and so can drive a pair of loudspeakers, providing more efficient and economical use of the amplifier portion of a system than can be obtained with a powered loudspeaker. Due to the efficient design of the amplifier module, only a passive radiator is needed for cooling and there are no moving parts in the module, reducing failure points.

There are five sizes of PowerChiton available- a dual 50W output model and four mono block models with outputs of 100W, 150W, 350W, 500W and 1500W. While PowerChitons were optimized for use with Technomad loudspeakers, they can be used with any eight or four ohm loudspeaker.

The PowerChitons feature two line level inputs, one balanced and one unbalanced. The audio input is hardware to an internal terminal block. Each channel has an individual level control inside the unit allowing the installer to set the levels at the time of installation. With the exception of the Nano model, each unit is a single channel amplifier with two NL4MP outputs for ease of cabling. The non-Nano units feature a switch-set ducking feature so the balanced input can duck the unbalanced input.

The PowerChitons have several integrated crossover filter options. By simply selecting which output of the internal pre-amplifier circuit is being used, the unit can be set to work in one of four modes- full range, 350Hz high pass, 85Hz high pass, 85Hz low pass.

The module can be used with standard distributed line level audio but has available expansion options enabling audio distribution via ethernet network, RDL™ Twisted Pair, Bluetooth™, Airplay™ or a variety of wireless distribution systems.

The PowerChitons can be installed with the included mounting feet. Pole mount adaptors are also available.

**Technomad
Audio. Anywhere.**

5 Tina Drive South Deerfield MA 01373 USA
Telephone: 800.464.7757 Fax: 617.424.8233
Email: sales@technomad.com Web: <http://www.technomad.com>

Technomad PowerChiton Amplifier Series

Performance Specifications

PowerChiton Nano	50W x 2 @ 8Ω 100W x 1 @ 4Ω
PowerChiton Micro	100w @ 8Ω 200w @ 4Ω
PowerChiton 1	150W @ 8Ω 300W @ 4Ω
PowerChiton 2	350w @ 8Ω 700w @ 4Ω
PowerChiton 3	525w @ 8Ω 1100w @ 4Ω
PowerChiton 4	1500w @ 8Ω, 4Ω

Common specifications across series:

- Output power measurements based on 10Hz-20kHz/ AES17 meas. filter

* THD + N in 4Ω	Max. 01%
* Bandwidth limit	80 kHz (8Ω)
* Total efficiency	81% @ 100w , 8Ω
* Dynamic range	115 dBA

General Specifications

Power input	6' 12/3 AWG grounded cord
Audio input	terminal block: 1x balanced, 1x unbalanced
Crossover points	full range, 350Hz high pass, 85Hz high pass, 85Hz low pass
Audio output	2x NL4MP Speak-On (mono)
Operating Temperature	0-50°C
Mounting options	Flange mount Pole mount Speaker mount

Physical Specifications

Cabinet	Polycarbonate (gray)
Flame rating	UL94
Outdoor UV rating	UL tested
IP Rating	IP66

PowerChiton Nano

6.5" / 165mm x 6.5 / 165 x 5.2 / 132, 6 lb. / 2.7 kg.

PowerChiton Micro

10.5"/266mm x 8.50 / 216 x 5.20 / 132, 9 lb. / 4.1 kg.

PowerChiton 1

10.5"/266mm x 8.50 / 216 x 5.20 / 132, 9 lb. / 4.1 kg.

PowerChiton 2

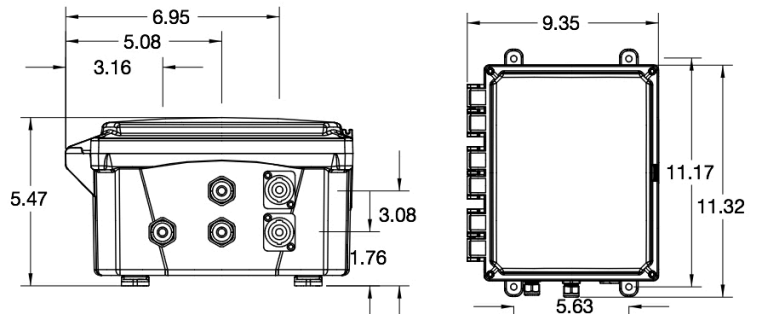
10.5"/266mm x 8.50 / 216 x 7.35 / 187, 9.3 lb. / 4.2 kg.

PowerChiton 3

10.5"/266mm x 8.50 / 216 x 7.35 / 187, 10 lb., 4.5 kg.

PowerChiton 4

12.5"/317mm x 10.50 / 266 x 7.35 / 187, 15 lb., 6.8 kg.



PowerChiton Nano, Micro, PC1

Architectural and Engineering Specifications

The amplifier shall be a single, passively cooled type integrated into a weatherproof, polycarbonate NEMA enclosure rated for IP66 exposure. The unit shall be fuse-protected and capable of operating off of either 120vAC or 220vAC power. The unit shall offer options for flange mounting and pole mounting. The unit shall be rated for UV resistance.

The unit shall be capable for operating a 8 ohm and 4 ohms. The unit shall have a THD + N less than .01%.

The unit shall have a total efficiency of better than 81%

The unit shall be expandable to operate as a network audio device with optional ethernet module. The unit shall be expandable to operate on a FM wireless system with optional wireless module. The unit shall be expandable to operate with RDL Twisted Pair™ distribution systems.

The unit shall be a Technomad PowerChiton.

Technomad
Audio. Anywhere.

5 Tina Drive South Deerfield MA 01373 USA
Telephone: 800.464.7757 Fax: 617.424.8233
Email: sales@technomad.com Web: <http://www.technomad.com>