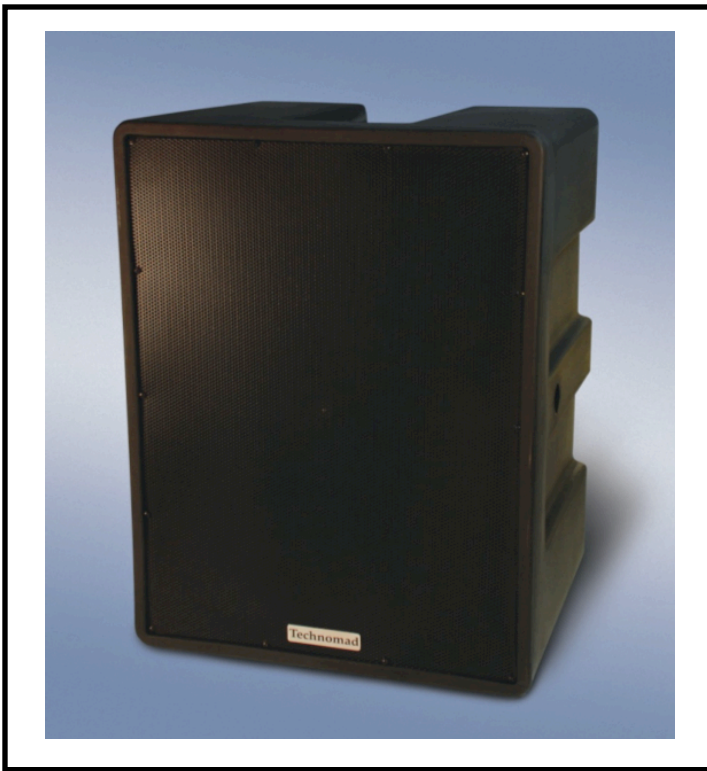


Technomad Oslo 18

MP Series

High Power, All-Environment Vented 18" Subwoofer



Developed for the demanding requirements of themed-entertainment applications, the Oslo offers a remarkable combination of accurate low-bass reproduction and Technomad's world-renowned build quality and reliability.

The Oslo delivers accurate, extended bass in a single-18" driver design, and offers excellent efficiency in a ported design without the excessive port resonance and 'one-note bass' sounds that plague many subwoofers. Ports are flared to minimize port noise and enhance overall performance.

The Oslo features Technomad's MilSpec 810F construction, and is cast as a single-piece, thick-walled structure with structural ridging for unmatched rigidity and minimal wall flex. Stainless steel rods couple the front and back faces of the Oslo to enhance stiffness even further, well beyond the performance of even the best fabricated / wooden subwoofers.

The Oslo's environment-impervious cabinet and stainless-steel grill, moisture shedding design, and Technomad's proprietary driver treatments combine to produce a subwoofer that can be installed in virtually ANY

- Powerful 18" low frequency driver**
- Dual Flared Ports for extended response**
- Superb audio quality**
- Fully weatherproof construction**
- Available in powered version**
- One-piece, 1/2" thick molded cabinet**
- Molded-in colors will not crack or fade**
- Comprehensive warranty**
- Self-draining cabinet**
- Twelve (12) optional cabinet colors**

environment. Whether extremely hot, extremely cold, high UV intensity, or permanently wet - such as shipboard uses - the Oslo shrugs off environments that destroy ordinary subwoofers in a matter of months. The Oslo is IP56 rated, and is designed for installation underground or into set-work / theming as needed.

The OSLO's compact size and easy-to-move form factor make it an excellent choice for any application requiring maximum bass in minimum volume, Live sound, corporate audio, permanent installations, theatrical use, government applications, training and simulation are all excellent Oslo uses.

The Oslo is fused to prevent damage from severe input power faults, and has an integral standmount socket (2" OD) for typical subwoofer/pipe/ full-range box uses.

For your most demanding low bass needs: the Technomad OSLO.

Technomad
THE TOUGHEST LOUSPEAKERS IN THE WORLD.

5 Tina Drive South Deerfield MA 01373 USA

Telephone: 800.464.7757 Fax: 617.424.8233

Email: sales@technomad.com Web: <http://www.technomad.com>

Specifications

Oslo 18

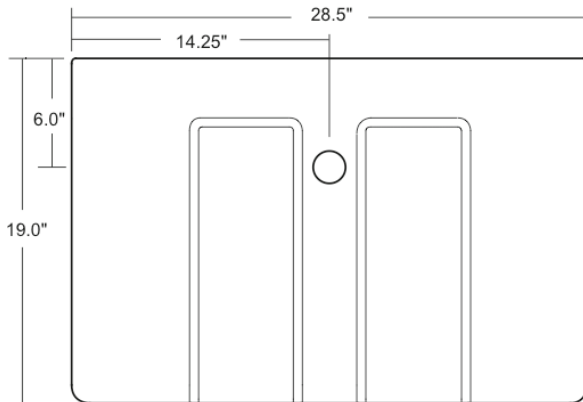
Audio Specifications

Frequency Response (+/- 2 dB)	30 - 300 Hz
Frequency Range (+/- 6 dB)	30 - 300 Hz
Maximum Continuous Power ¹	1600 watts
Maximum Peak Program Power ¹	3200 watts
Recommended Amplifier Power*	2000 watts
Sensitivity (total SPL)*	98 dB SPL
Maximum Output (long term)	130 dB SPL
Maximum Output (peak program)	133 dB SPL
HF Dispersion	NA
Nominal Impedance	8 ohms

Physical Specifications

Height	28.5 in.	72.4 cm
Width	22 in.	55.9 cm
Depth	19 in.	48.3 cm
Weight	75 lb.	34 kg
Shipping weight.	75 lb.	34 kg

Fittings:	
Rigging points	2 x 3/8-16 threaded inserts
Bracket mount points	N/A
Yoke mount points	N/A
Standmount sockets	2- One on side, one on top
Handles	Optional
Cabinet	Mid-density Polyethylene
Grill	Powder-coated stainless steel



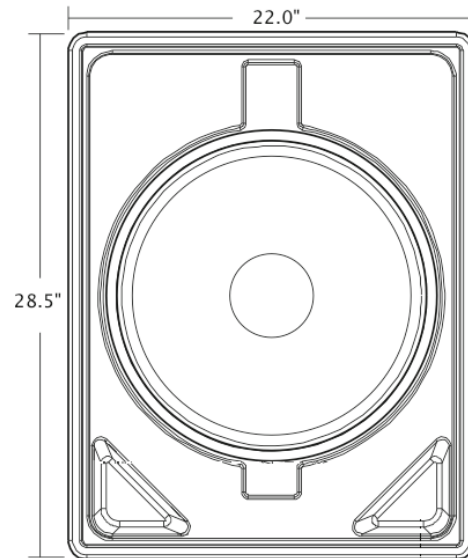
Technomad Oslo - Side View

Signal Chain

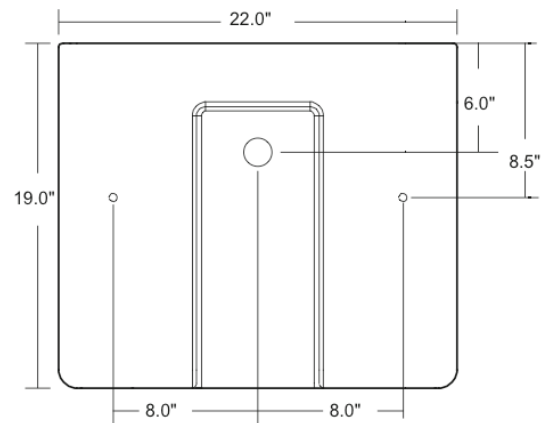
HF	N/A
LF	18" LF driver
Connectors	2x Neutrik™ NL4MP Speak-On, on back
Crossover	None

¹ Based on ALMA EIA test RS-426B Life Test

* Total SPL dB RTA 1W/1M ALMA



Technomad Oslo - Front View



Technomad Oslo - End View

The loudspeaker system shall be of one-way type consisting of one 18" treated low frequency cone type transducer in a vented direct radiating enclosure.

The system shall meet the following performance criteria:
Frequency Response: 30 - 300 Hz. Power Handling: 1600W. Impedance shall be 8 ohms. The cabinet shall be molded from mid-density, (100% recycled if black) polyeth-

ylene. All cabinet dyes shall be non heavy metal based. The cabinet shall have a 10 year warranty. The system shall include 1.5" stand mount sockets on two sides. The speaker shall have two optional spring-loaded handles. The speaker shall have two 3/8-16 flypoints. All drivers shall be protected by a three-layer treated grill system.

The loudspeaker system shall be the Technomad Oslo.

Technomad
THE TOUGHEST LOUSPEAKERS IN THE WORLD.

5 Tina Drive South Deerfield MA 01373 USA

Telephone: 800.464.7757 Fax: 617.424.8233

Email: sales@technomad.com Web: <http://www.technomad.com>