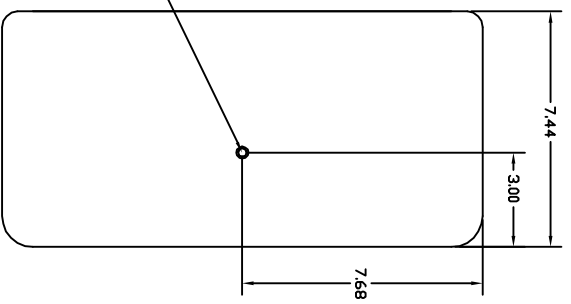
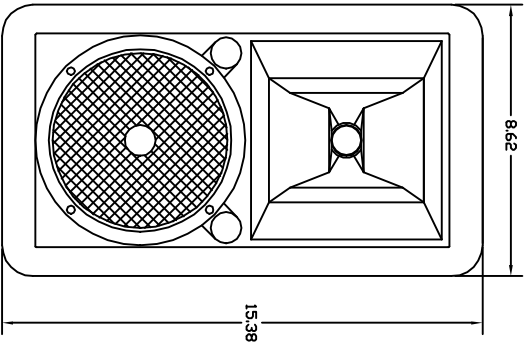
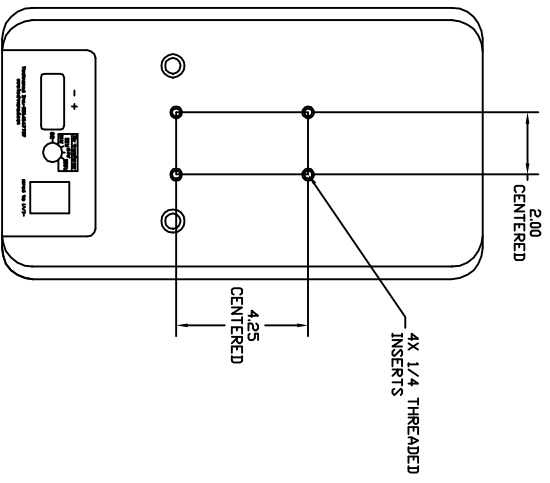
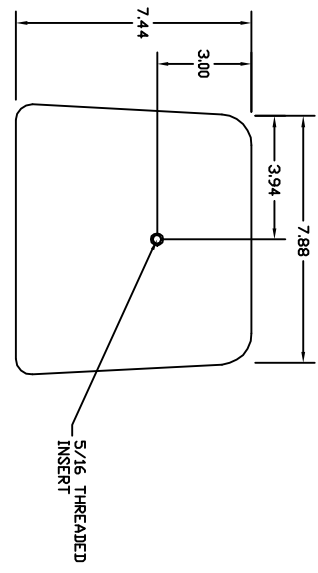


REV.	DATE	DESCRIPTION	BY/CHK	APP.
------	------	-------------	--------	------

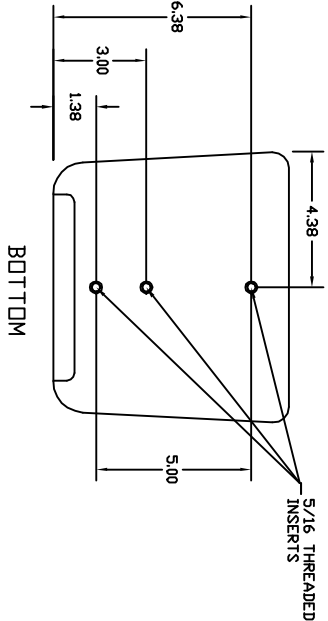


BACK

FRONT

SIDE

- NOTES:
- 1) MOUNTING POINTS 5/16-18 THREADED INSERTS ON TOP, BOTTOM, SIDES.
 - 2) MOUNTING POINTS 1/4-20 THREADED INSERTS ON BACK FOR TECHNOMAD SIZE WALLMOUNT BRACKET OR EQUIV.
 - 3) MOUNTING POINTS 5/16-18 THREADED INSERTS ON BOTTOM FOR TECHNOMAD 417 BOLT-ON STAND-MOUNT ADAPTER.
 - 4) LEADSPAKER SHOWN WITHOUT WEATHERTECH 3-LAYER GRILL SYSTEM.



BOTTOM

TECHNOMAD INC. Boston, Massachusetts 1.800.464.7757 www.technomad.com	
SOLE	TITLE
1-1	VIENNA 16
TR	DWG
KEG	89-11-17

THIS DRAWING IS THE PROPERTY OF TECHNOMAD INC. AND SHALL NOT BE COPIED, REPRODUCED OR USED AS THE BASIS FOR MANUFACTURE OR SALE WITHOUT WRITTEN AUTHORIZATION BY TECHNOMAD INC.