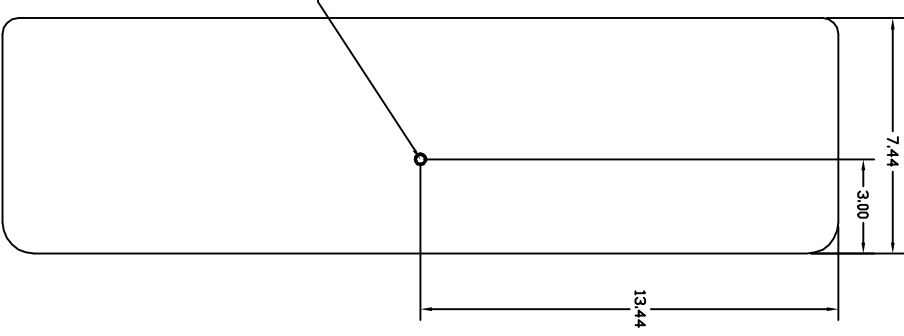
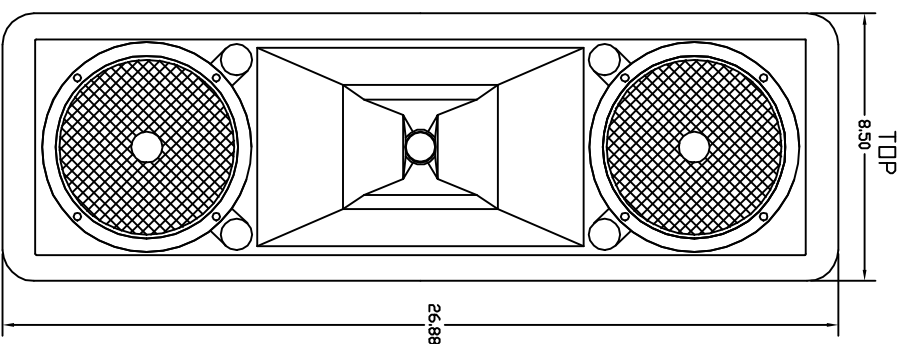
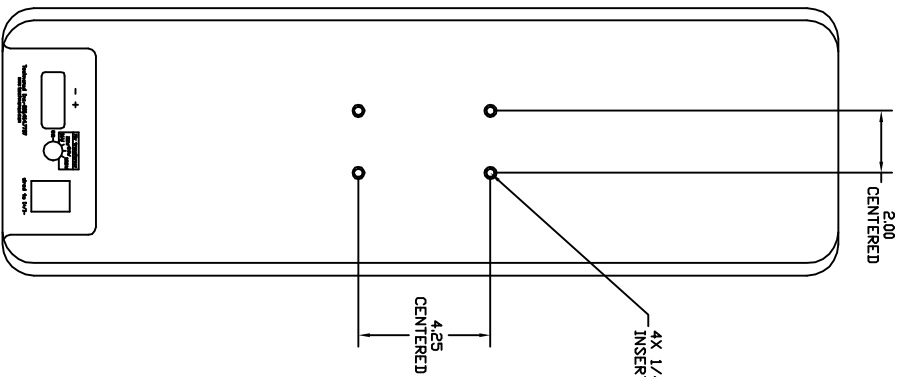
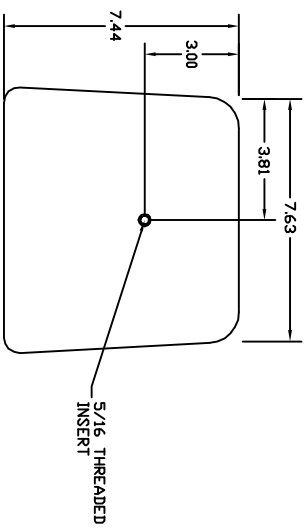
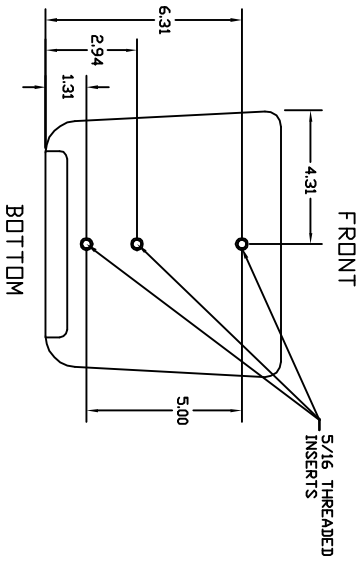


| REV | DATE | DESCRIPTION | BY/CHK | APP. |
|-----|------|-------------|--------|------|
|     |      |             |        |      |



- NOTES:
- 1) MOUNTING POINTS 5/16-18 THREADED INSERTS ON TOP, BOTTOM, SIDES.
  - 2) MOUNTING POINTS 1/4-20 THREADED INSERTS ON BACK FOR TECHNOMAD SIZE WALLMOUNT BRACKET OR EQUIV.
  - 3) MOUNTING POINTS 5/16-18 THREADED INSERTS ON BOTTOM FOR TECHNOMAD 417 BOLT-ON STAND-MOUNT ADAPTER.
  - 4) LEADSPAKER SHOWN WITHOUT WEATHERTECH 3-LAYER GRILL SYSTEM.



TECHNOMAD INC.  
Boston, Massachusetts  
1.800.464.7757  
www.technomad.com

TITLE PARIS 616

SCALE 1-1

REV 00-1-31

THIS DRAWING IS THE PROPERTY OF TECHNOMAD INC. IT IS TO BE USED AS THE BASIS FOR MANUFACTURE OR SALE WITHOUT WRITTEN AUTHORIZATION BY TECHNOMAD INC.