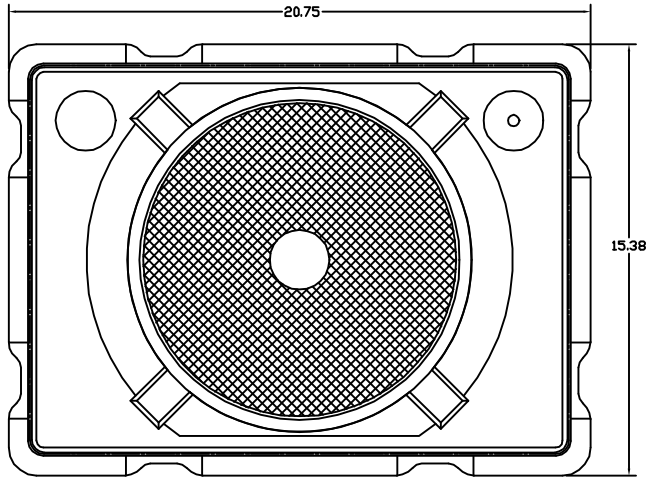
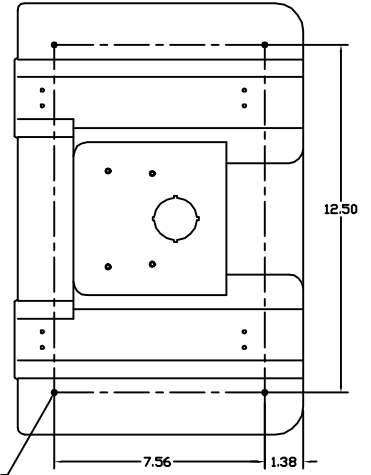


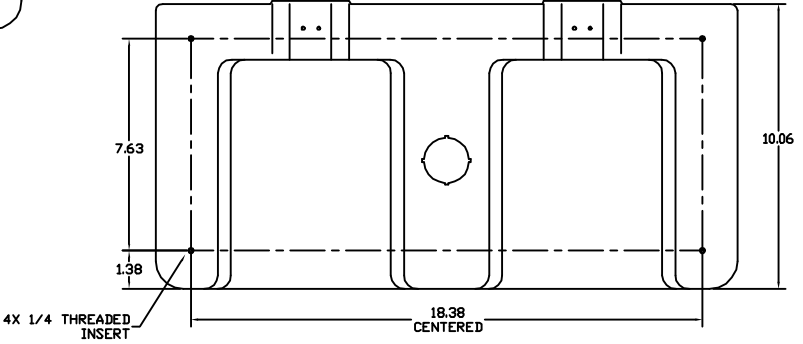
BACK



FRONT



END



SIDE

NOTES:

- 1) MOUNTING POINTS  
1/4-20 THREADED INSERTS  
ON SIDE AND END.
- 2) MOUNTING POINTS  
5/16-18 THREADED INSERTS  
ON BACK FOR TECHNOMAD MODEL  
456 BRACKET OR OMNIMOUNT  
300 SERIES OR EQUIVALENT.
- 3) LOUDSPEAKER SHOWN WITHOUT  
WEATHERTECH GRILL SYSTEM.

<b>TECHNOMAD INC.</b> Boston, Massachusetts 1.800.464.7757 <a href="http://www.technomad.com">www.technomad.com</a>	
SCALE 1/2	TITLE NDHD C INSTALL
DR. KEG	DATE 00-4-18
<small>THIS DRAWING IS THE PROPERTY OF TECHNOMAD INC. AND SHALL NOT BE COPIED, REPRODUCED, OR USED AS THE BASIS FOR MANUFACTURE OR SALE WITHOUT WRITTEN AUTHORIZATION BY TECHNOMAD INC.</small>	